

K 50 - 8 Ohm

5 cm (2") miniature speaker with plastic diaphragm and metal basket. Thanks to its compact dimensions, suitable for signal output in machines and other equipment where space is at a premium.

Typical applications:

- Voice and signal output in machines and other equipment both indoors and outdoors

Attributes:

- Plastic: Mylar (diaphragm)
- Functionally at cold according to EN 60068-2-1/EN 50155
- Metal basket
- UV-resistant

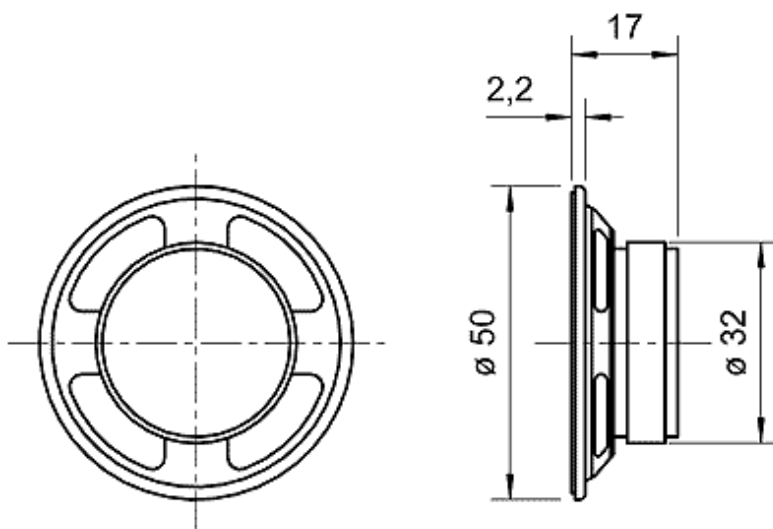


*) IP protection class for front side when built into a sealed enclosure

Technical Data

Rated power	2 W
Maximum power	3 W
Nominal impedance Z	8 Ohm
Frequency response	250–10000 Hz
Mean sound pressure level	83 dB (1 W/1 m)
Opening angle (-6 dB)	180°/4000 Hz

Excursion limit	+/-0,5 mm
Resonance frequency fs	400 Hz
Height of front pole-plate	2 mm
Voice coil diameter	14 mm
Height of winding	3 mm
Cutout diameter	45 mm
Net weight	0,05 kg
Protective system	IP 65 *)
Temperature range	-40 ... 80 °C



Visaton K 50

Frequenzgang und Impedanz

