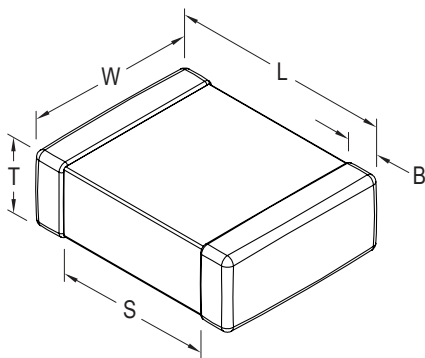


## Sample Kit Contents

KEMET Part Number	Case Size	Capacitance	Cap Tolerance	Rated Voltage	T Thickness	Dielectric	Quantity
	EIA/Metric		%	VDC	mm		
C0603C100J5GACTU	0603/1608	10 pF	±5	50	0.80 ±0.07	C0G	50
C0603C100J1GACTU	0603/1608	10 pF	±5	100	0.80 ±0.07	C0G	50
C0603C220J5GACTU	0603/1608	22 pF	±5	50	0.80 ±0.07	C0G	50
C0603C121J5GACTU	0603/1608	120 pF	±5	50	0.80 ±0.07	C0G	50
C0603C181J5GACTU	0603/1608	180 pF	±5	50	0.80 ±0.07	C0G	50
C0603C271J5GACTU	0603/1608	270 pF	±5	50	0.80 ±0.07	C0G	50
C0603C102J3GACTU	0603/1608	1000 pF	±5	25	0.80 ±0.07	C0G	50
C0603C102J5GACTU	0603/1608	1000 pF	±5	50	0.80 ±0.07	C0G	50
C0603C103G8GACTU	0603/1608	10000 pF	±2	10	0.80 ±0.07	C0G	50
C0603C103J3GACTU	0603/1608	10000 pF	±5	25	0.80 ±0.07	C0G	50
C0603C181K5RACTU	0603/1608	180 pF	±10	50	0.80 ±0.07	X7R	50
C0603C102K5RACTU	0603/1608	1000 pF	±10	50	0.80 ±0.07	X7R	50
C0603C102K1RACTU	0603/1608	1000 pF	±10	100	0.80 ±0.07	X7R	50
C0603C103K5RACTU	0603/1608	10000 pF	±10	50	0.80 ±0.07	X7R	50
C0603C683K4RACTU	0603/1608	68000 pF	±10	16	0.80 ±0.07	X7R	50
C0603C104K3RACTU	0603/1608	0.10 µF	±10	25	0.80 ±0.07	X7R	50
C0603C104K5RACTU	0603/1608	0.10 µF	±10	50	0.80 ±0.07	X7R	50
C0603C224K4RACTU	0603/1608	0.22 µF	±10	16	0.80 ±0.07	X7R	50
C0603C474K4RACTU	0603/1608	0.47 µF	±10	16	0.80 ±0.07	X7R	50
C0603C105K4RACTU	0603/1608	1.0 µF	±10	16	0.80 ±0.10	X7R	50
C0603C104K3PACTU	0603/1608	0.10 µF	±10	25	0.80 ±0.10	X5R	50
C0603C474K8PACTU	0603/1608	0.47 µF	±10	10	0.80 ±0.10	X5R	50
C0603C474K4PACTU	0603/1608	0.47 µF	±10	16	0.80 ±0.10	X5R	50
C0603C105K9PACTU	0603/1608	1.0 µF	±10	6.3	0.80 ±0.10	X5R	50
C0603C105K4PACTU	0603/1608	1.0 µF	±10	16	0.80 ±0.10	X5R	50
C0603C225K9PACTU	0603/1608	2.2 µF	±10	6.3	0.80 ±0.10	X5R	50
C0603C225M8PACTU	0603/1608	2.2 µF	±20	10	0.80 ±0.10	X5R	50
C0603C225K4PACTU	0603/1608	2.2 µF	±10	16	0.80 ±0.10	X5R	50
C0603C335M9PACTU	0603/1608	3.3 µF	±20	6.3	0.80 ±0.10	X5R	50
C0603C106M9PACTU	0603/1608	10 µF	±20	6.3	0.80 ±0.10	X5R	50

## Dimensions – Millimeters (Inches)



Case Size (in.)	Case Size (mm)	L Length	W Width	T Thickness	B Bandwidth	S Separation Minimum	Mounting Technique
0603	1608	1.60 (.063) ±0.15 (.006)	0.80 (.032) ±0.15 (.006)	See Table Above	0.35 (.014) ±0.15 (.006)	0.70 (.028)	Solder Wave or Solder Reflow