



Future Technology Devices International Ltd.

UB232R

USB Mini-B FT232R Evaluation Module

Datasheet

Document Reference No.: FT_000055

Version 1.12

Issue Date: 2010-12-07

Future Technology Devices International Ltd (FTDI)

Unit 1, 2 Seaward Place, Centurion Business Park, Glasgow, G41 1HH, United Kingdom

Tel.: +44 (0) 141 429 2777 Fax: + 44 (0) 141 429 2758

E-Mail (Support): support1@ftdichip.com

Web: <http://www.ftdichip.com>

Use of FTDI devices in life support and/or safety applications is entirely at the user's risk, and the user agrees to defend, indemnify and hold harmless FTDI from any and all damages, claims, suits or expense resulting from such use.

Copyright © 2010 Future Technology Devices International Limited

1 Introduction

The UB232R is the smallest USB – serial development module in the FTDI product range. To minimise the size of the module, the UB232R uses a standard USB mini-B connector. It is ideal for new development purposes as well as a platform for adding a USB interface to existing product designs.

The UB232R is based on the FTDI FT232RQ USB to Serial UART IC which handles all the USB signalling and protocols. The FT232R datasheet, **DS_FT232R**, is available at <http://www.ftdichip.com>. The UB232R supports RTS/CTS hardware handshaking and is USB powered. The module supports data transfer rates from 300 baud to 3 Mbaud (RS422, RS485, RS232 and at TTL levels). In addition, two of the configurable CBUS pins of the FT232R are made available on the UB232R connector, allowing the UB232R to provide clock signals to external logic or they can be used to drive signal traffic indicator LEDs.

The UB232R is supplied with two 1x4 turned pin board headers with a standard 0.1" pitch. This aids rapid prototyping and development. All components used, including the FT232R are Pb-free (RoHS compliant).

The UB232R requires USB drivers, available free from <http://www.ftdichip.com>, which are used to make the FT232R on the UB232R appear as a virtual COM port (VCP). This then allows the user to communicate with the USB interface via a standard PC serial emulation port (TTY). Another FTDI USB driver, the D2XX driver, can also be used with application software to directly access the FT232R on the UB232R though a DLL. This is illustrated in the Figure 1.1

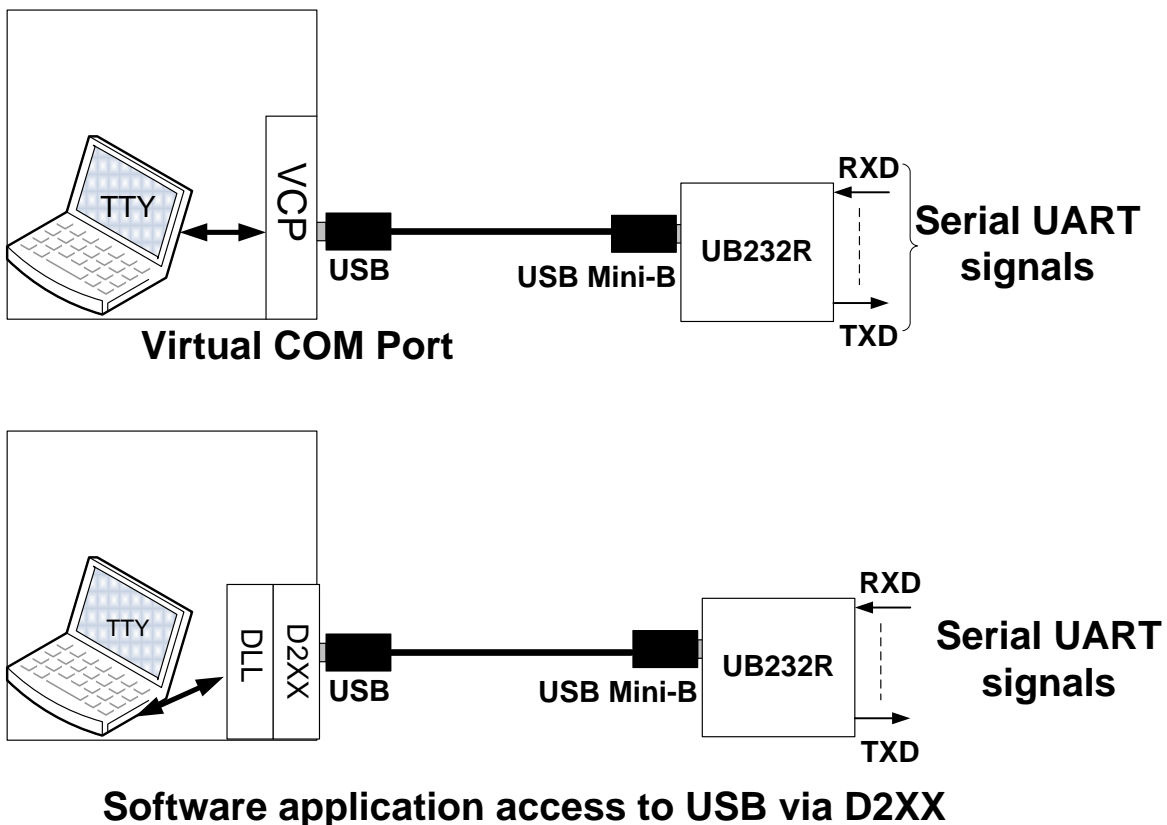


Figure 1.1 Using the UB232R

Drivers for the UB232R are available free from <http://www.ftdichip.com>.

1.1 USB Compliant

The UB232R is fully compliant with USB 2.0 specification



Table of Contents

1	Introduction	1
1.1	USB Compliant	2
2	Typical Applications	4
2.1	Driver Support	4
2.2	Features.....	4
3	Electrical Details	5
4	Mechanical details.....	6
5	Schematic Diagram	7
6	Contact Information.....	8
	Appendix A – FT232R EEPROM Configuration	10
	Appendix B – Revision History.....	11

2 Typical Applications

- Rapid USB integration into existing electronic systems.
- Prototyping platform for USB interface on new systems.
- USB Instrumentation integration.
- PCB real estate sensitive designs integrating smallest FTDI USB module available.

2.1 Driver Support

Royalty-Free VIRTUAL COM PORT (VCP) DRIVERS for:

- Windows 7 32, 64-bit
- Windows Vista
- Windows XP 64-bit
- Windows XP Embedded
- Windows 98, 98SE, ME, 2000, Server 2003, XP and Server 2008
- Windows CE.NET 4.2, 5.0 and 6.0
- MAC OS 8 / 9, OS-X
- Linux 2.4 and greater

Royalty-Free D2XX Direct Drivers (USB Drivers + DLL S/W Interface):

- Windows 7 32, 64-bit
- Windows Vista
- Windows XP 64-bit
- Windows XP Embedded.
- Windows 98, 98SE, ME, 2000, Server 2003, XP and Server 2008
- Windows CE.NET 4.2, 5.0 and 6.0
- Linux 2.4 and greater

The drivers listed above are all available to download for free from www.ftdichip.com. Various 3rd Party Drivers are also available for various other operating systems – see www.ftdichip.com for details.

2.2 Features

The UB232R has the following feature:

- Reduced development time.
- Rapid integration into existing systems.
- USB powered – no external power supply needed.
- Based on FT232RQ device.
- Entire USB protocol handled by USB module.
- Small USB Type B connector to minimise PCB real estate usage.
- Data transfer rates from 300 baud to 3 Mbaud at TTL levels
- Lower Operating (15mA) and USB suspend mode current (70µA).
- Supports FT232R FTDIChip-ID™ with a unique USB serial number.
- Support for USB suspend and resume.
- UHCI / OHCI / EHCI host controller compatible.
- USB 2.0 Full Speed compatible.
- -40°C to +85°C operating temperature range.

3 Electrical Details

The electrical details and connections to the UB232R module are shown in Figure 3.1, Table 3.1 and Table 3.2.

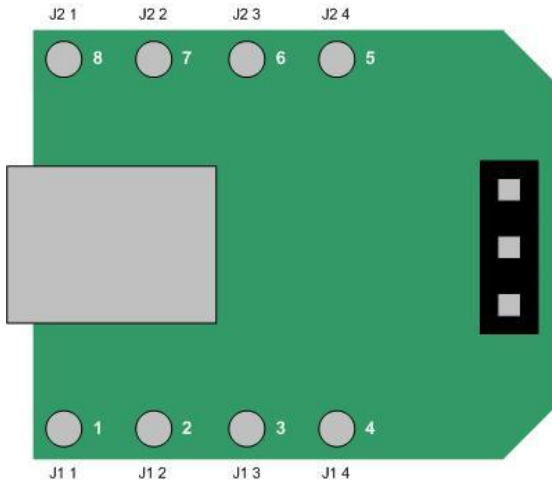


Figure 3.1 UB232R Electrical Connections (Top View)

Silkscreen Pin	Connector Pin	Name	Description
1	J1-1	GND	OV Power pin
2	J1-2	VCC	+5V Power from USB Interface
3	J1-3	CTS#	FT232R CTS pin
4	J1-4	RTS#	FT232R RTS pin
5	J2-4	CBUS1	FT232R CBUS1 pin
6	J2-3	CBUS0	FT232R CBUS0 pin
7	J2-2	RXD	FT232R RXD pin
8	J2-1	TXD	FT232R TXD pin

Table 3.1 UB232R Module Connection

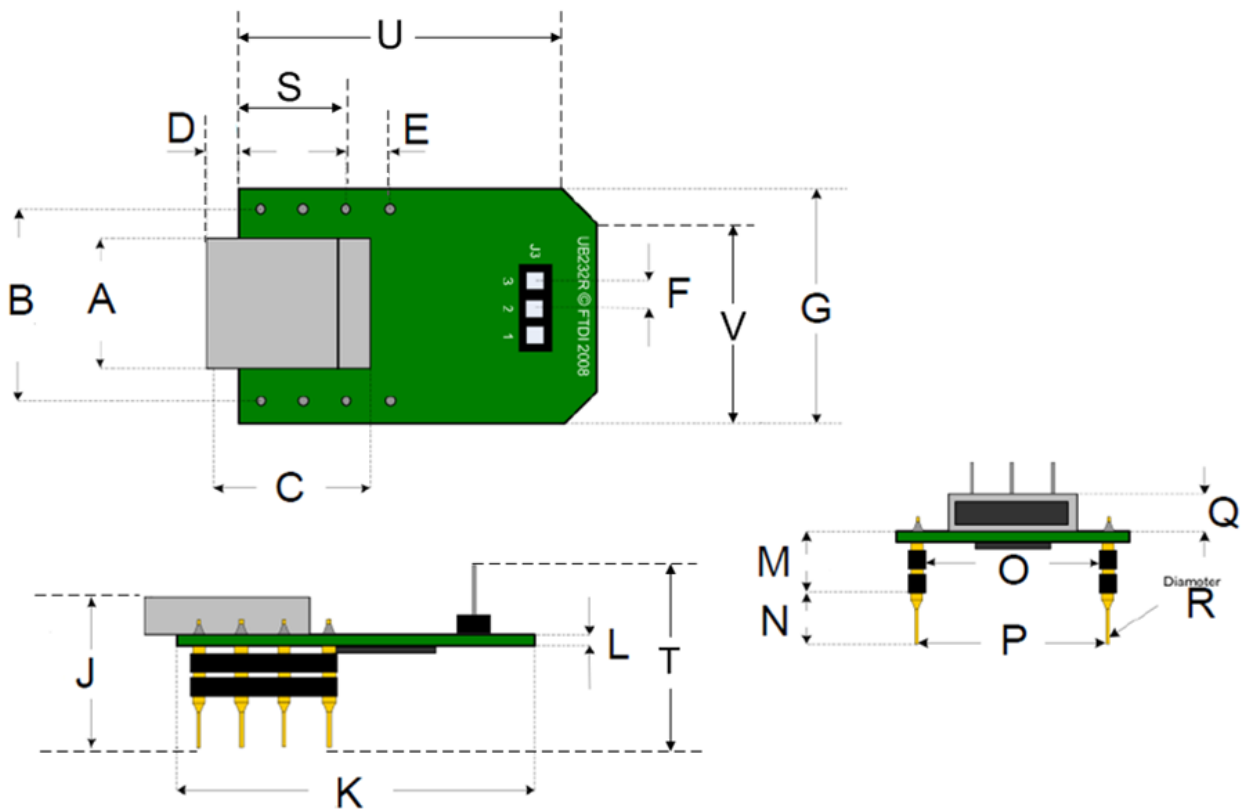
The signal output level on connectors J1 and J2 are controlled by the voltage supplied to the VCCIO pin 4 on the FT232R. The VCCIO is selected between the +5V (VCC from USB) or the output of the FT232R Low Drop Out (LDO) +3.3V regulator. The VCCIO selection is done by fitting a link on connector J3. The selection is shown in Table 3.2.

Connector J3	Function
Link 1-2 connected	VCCIO and RESET# driven connected to VCC (+5V)
Link 2-3 connected	VCCIO and RESET# driven connected to +3.3V output of FT232R LDO regulator

Table 3.2 UB232R Module VCCIO selection

4 Mechanical details

The mechanical details of the UB232R are shown in Figure 4.1:



	Dimensions (mm)		Dimensions (mm)		Dimensions (mm)		Dimensions (mm)
A	7.0 +/- 0.1	F	2.0 +/- 0.005	M	8.0 +/- 0.1	R	0.5 +/- 0.005
B	12.7 +/- 0.1	G	15.24 +/- 0.2	N	5.0 +/- 0.1	S	6.35 +/- 0.005
C	7.0 +/- 0.1	J	17.0 +/- 0.2	O	10.0 +/- 0.1	T	18.90 +/- 0.005
D	2.0 +/- 0.005	K	17.78 +/- 0.2	P	12.7 +/- 0.1	U	15.24 +/- 0.005
E	2.54 +/- 0.005	L	1.60 +/- 0.005	Q	4.0 +/- 0.1	V	12.70 +/- 0.005

Figure 4.1 UB232R Module Dimensions

Figure 4.1 UB232R Module Dimensions

5 Schematic Diagram

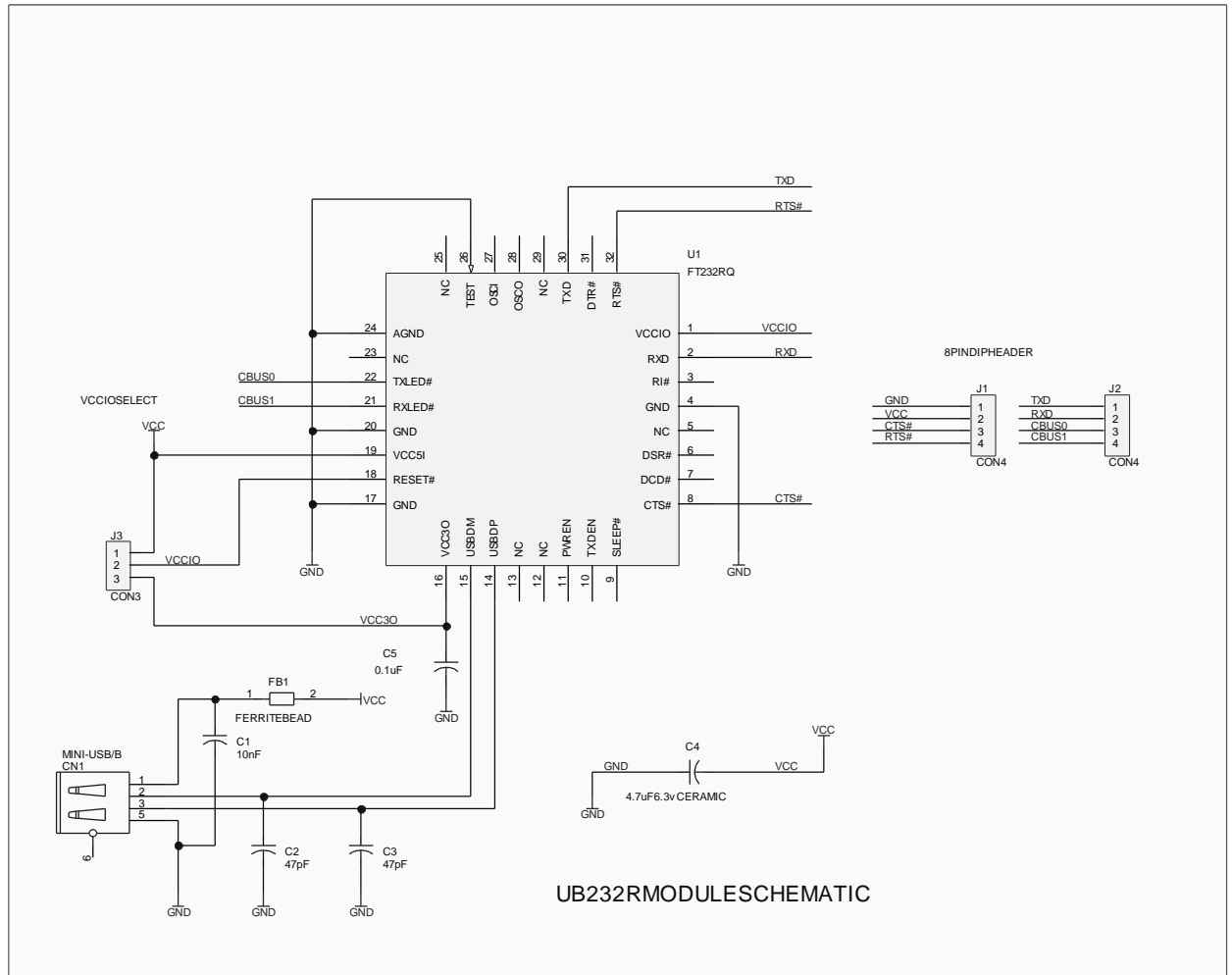


Figure 5.1 UB232R Module Schematic

6 Contact Information

Head Office – Glasgow, UK

Future Technology Devices International Limited
Unit 1, 2 Seaward Place, Centurion Business Park
Glasgow G41 1HH
United Kingdom
Tel: +44 (0) 141 429 2777
Fax: +44 (0) 141 429 2758

E-mail (Sales) sales1@ftdichip.com
E-mail (Support) support1@ftdichip.com
E-mail (General Enquiries) admin1@ftdichip.com
Web Site URL <http://www.ftdichip.com>
Web Shop URL <http://www.ftdichip.com>

Branch Office – Taipei, Taiwan

Future Technology Devices International Limited
(Taiwan)
2F, No. 516, Sec. 1, NeiHu Road
Taipei 114
Taiwan, R.O.C.
Tel: +886 (0) 2 8791 3570
Fax: +886 (0) 2 8791 3576

E-mail (Sales) tw.sales1@ftdichip.com
E-mail (Support) tw.support1@ftdichip.com
E-mail (General Enquiries) tw.admin1@ftdichip.com
Web Site URL <http://www.ftdichip.com>

Branch Office – Hillsboro, Oregon, USA

Future Technology Devices International Limited
(USA)
7235 NW Evergreen Parkway, Suite 600
Hillsboro, OR 97123-5803
USA
Tel: +1 (503) 547 0988
Fax: +1 (503) 547 0987

E-Mail (Sales) us.sales@ftdichip.com
E-Mail (Support) us.support@ftdichip.com
E-Mail (General Enquiries) us.admin@ftdichip.com
Web Site URL <http://www.ftdichip.com>

Branch Office – Shanghai, China

Future Technology Devices International Limited
(China)
Room 408, 317 Xianxia Road,
Shanghai, 200051
China
Tel: +86 21 62351596
Fax: +86 21 62351595

E-mail (Sales) cn.sales@ftdichip.com
E-mail (Support) cn.support@ftdichip.com
E-mail (General Enquiries) cn.admin@ftdichip.com
Web Site URL <http://www.ftdichip.com>

Distributor and Sales Representatives

Please visit the Sales Network page of the FTDI Web site for the contact details of our distributor(s) and sales representative(s) in your country.



System and equipment manufacturers and designers are responsible to ensure that their systems, and any Future Technology Devices International Ltd (FTDI) devices incorporated in their systems, meet all applicable safety, regulatory and system-level performance requirements. All application-related information in this document (including application descriptions, suggested FTDI devices and other materials) is provided for reference only. While FTDI has taken care to assure it is accurate, this information is subject to customer confirmation, and FTDI disclaims all liability for system designs and for any applications assistance provided by FTDI. Use of FTDI devices in life support and/or safety applications is entirely at the user's risk, and the user agrees to defend, indemnify and hold harmless FTDI from any and all damages, claims, suits or expense resulting from such use. This document is subject to change without notice. No freedom to use patents or other intellectual property rights is implied by the publication of this document. Neither the whole nor any part of the information contained in, or the product described in this document, may be adapted or reproduced in any material or electronic form without the prior written consent of the copyright holder. Future Technology Devices International Ltd, Unit 1, 2 Seaward Place, Centurion Business Park, Glasgow G41 1HH, United Kingdom. Scotland Registered Company Number: SC136640

Appendix A – FT232R EEPROM Configuration

This FT232R device within the UB232R module contains an EEPROM which contains the USB configuration descriptors for that device. When the UB232R is plugged into a PC or a USB reset is performed, the PC will read these descriptors. The default values stored into the internal EEPROM are defined in Table 6.1

Parameter	Value	Notes
USB Vendor ID (VID)	0403h	FTDI default VID (hex)
USB Product UD (PID)	6001h	FTDI default PID (hex)
Serial Number Enabled?	Yes	
Serial Number	See Note	A unique serial number is generated and programmed into the EEPROM during device final test.
Pull down I/O Pins in USB Suspend	Disabled	Enabling this option will make the device pull down on the UART interface lines when the power is shut off (PWREN# is high).
Manufacturer Name	FTDI	
Product Description	UB232R	
Max Bus Power Current	90mA	
Power Source	Bus Powered	
Device Type	FT232R	
USB Version	0200	Returns USB 2.0 device description to the host. Note: The device is be a USB 2.0 Full Speed device (12Mb/s) as opposed to a USB 2.0 High Speed device (480Mb/s).
Remote Wake Up	Enabled	Taking RI# low will wake up the USB host controller from suspend.
High Current I/Os	Enabled	Enables the high drive level on the UART and CBUS I/O pins.
Load VCP Driver	Disabled	Makes the device load the VCP driver interface for the device.
Invert TXD	Disabled	Signal on this pin becomes TXD# if enable.
Invert RXD	Disabled	Signal on this pin becomes RXD# if enable.
Invert RTS#	Disabled	Signal on this pin becomes RTS if enable.
Invert CTS#	Disabled	Signal on this pin becomes CTS if enable.

Table 6.1 Default Internal EEPROM Configuration

The internal EEPROM in the FT232R can be re-programmed over USB using the utility program FT_PROG. FT_PROG can be downloaded from the www.ftdichip.com. Users who do not have their own USB Vendor ID but who would like to use a unique Product ID in their design can apply to FTDI for a free block of unique PIDs. Contact FTDI support for this service.

Appendix B – Revision History

Version 1.00	Full datasheet released	July 2008
Version 1.01	Table 3.1 (CTS# and RTS#) Corrected the pin out Contact information Update Added Windows 7 32,64 bit driver support . Added FT_PROG reference.	November 2009
Version 1.02	Edited mechanical dimensions figure 4.1 Released	January 2010 February 2010
Version 1.1	Updated contact information	April 2010
Version 1.11	Added RoHs compliant statement in section 1 Added section 1.1 USB compliant Logo	July 2010
Version 1.12	Edited mechanical dimensions figure 4.1 Added dimension S, T, U and V Updated the disclaimer	Dec 2010