

IEC Appliance Inlet C20 with Line Switch, 2-pole



Snap-In Version or Screw-On Version
illuminated version



Description

- Panel Mount:
Screw-on version from front or rear side, snap-in version from front side
- 2 Functions:
Appliance Inlet Protection class I, Line Switch 2-pole
- Quick connect terminals 6.3 x 0.8 mm

Approvals

- VDE Certificate Number: 40001031
- UL File Number: E96454

Characteristics

- All single elements are already wired
Unwired versions available on request
- Line switch non-illuminated or illuminated
- Ideal for application with high transient loads
- Suitable for use in equipment according to IEC/UL 60950

Other versions on request

- Unwired versions
- Line switch with other rocker marking
- For protection class II
- Variant with notch for V-Lock mating Cordsets

References

Alternative: version with line filter [EC12](#)

Weblinks

[pdf-datasheet](#), [html-datasheet](#), [General Product Information](#), [RoHS](#), [CHINA-RoHS](#), [REACH](#), [Mating Connectors](#), [SCHURTER-Stock-Check](#), [Distributor-Stock-Check](#), [Accessories](#), [Wire Harnessing](#), [Detailed request for product](#)

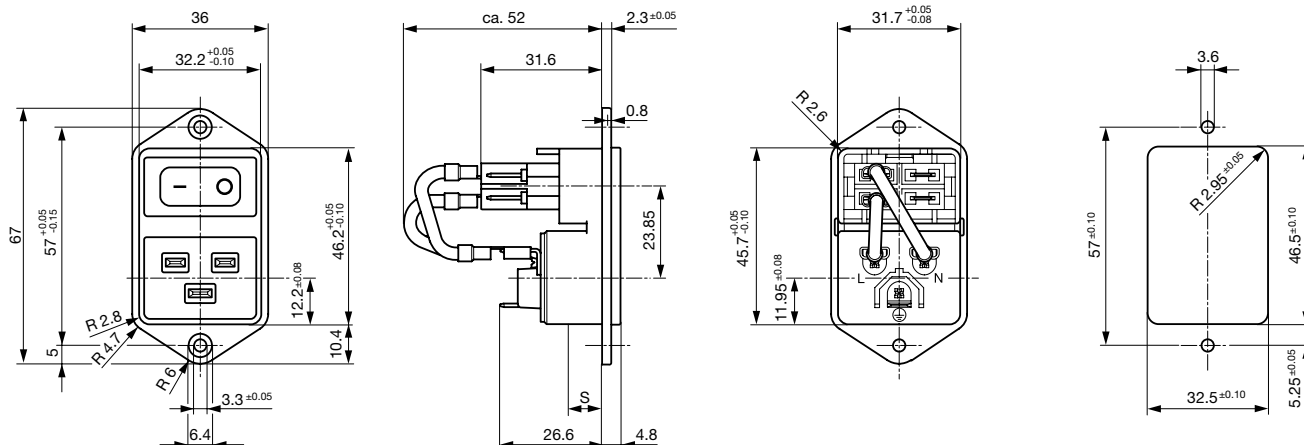
Newly available variants corresponding to V-Lock mating cordset. The connector is equipped with a notch intended for use with the latching cordset. The cord latching system prevents against accidental removal of the cordset.

Technical Data

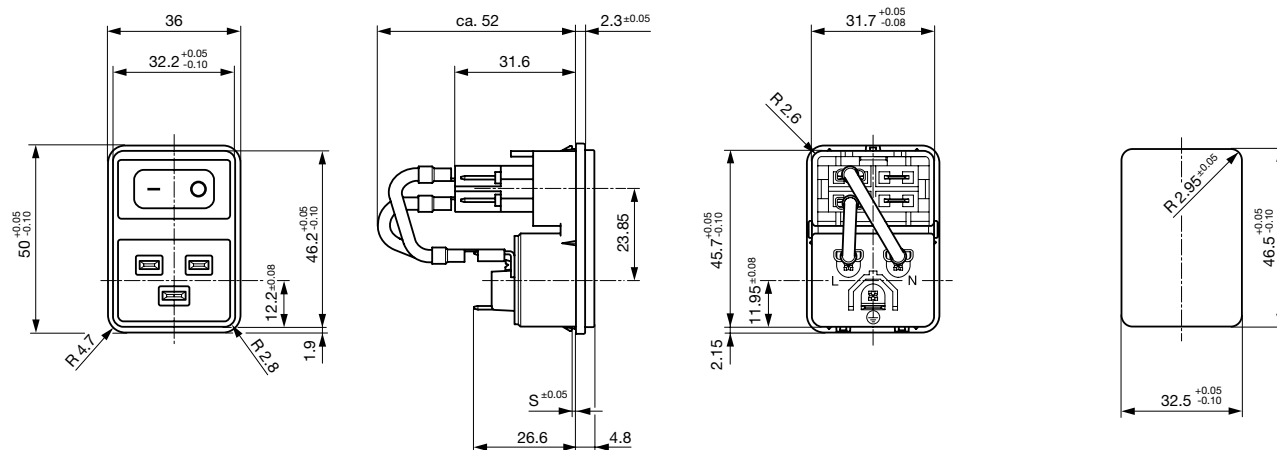
Ratings IEC	16 A / 250 VAC; 50 Hz	Appliance Inlet	C20 acc. to IEC 60320-1, UL 498, CSA C22.2 no. 42 (for cold conditions) pin-temperature 70 °C, 16 A, Protection Class I
Ratings UL/CSA	20 A / 250 VAC; 60 Hz	Line Switch	Rocker switch 2-pole, non-illuminated or illuminated, acc. to IEC 61058-1 Technical Details
Dielectric Strength	> 2.5 kVAC between L-N > 3 kVAC between L/N-PE (1 min/50 Hz)		
Allowable Operation Temp.	-25 °C to 70 °C		
Degree of Protection	IP 40 acc. to		
Protection Class	Suitable for appliances with protection class I acc. to IEC 61140		
Terminal	Quick connect terminals 6.3 x 0.8 mm		
Panel Thickness s	Screw: max 8 mm Mounting screw torque max 0.5 Nm Snap-in: 1.5/2/2.5 mm		
Material: Housing	Thermoplastic, black, UL 94V-0		

Dimensions

Screw-on mounting

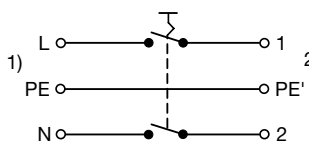


Snap-in mounting



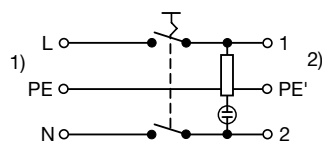
Diagrams

Line switch non-illuminated



1) Line
2) Load

Line switch illuminated



1) Line
2) Load

All Variants

Panel mounting	Panel Thickness s [mm]	Illumination	Color	Internally wired	Order Number
Snap-in	1.5	-	-	●	EC11.0001.201
Snap-in	1.5	-	-	●	EC11.0001.202
Snap-in	1.5	●	red	●	EC11.0021.201
Snap-in	1.5	●	red	●	EC11.0021.202
Snap-in	1.5	●	green	●	EC11.0031.201
Snap-in	1.5	●	green	●	EC11.0031.202
Snap-in	2	-	-	●	EC11.0001.301

Snap-in	2	-	●	EC11.0001.301.21
Snap-in	2	-		EC11.0001.302
Snap-in	2	●	red	EC11.0021.301
Snap-in	2	●	red	EC11.0021.302
Snap-in	2	●	green	EC11.0031.301
Snap-in	2	●	green	EC11.0031.302
Snap-in	2.5	-	●	EC11.0001.401
Snap-in	2.5	-		EC11.0001.402
Snap-in	2.5	●	red	EC11.0021.401
Snap-in	2.5	●	red	EC11.0021.402
Snap-in	2.5	●	green	EC11.0031.401
Snap-in	2.5	●	green	EC11.0031.402
Screw	-	-	●	EC11.0001.001.21
Screw	-	-		EC11.0001.002
Screw	-	●	red	EC11.0021.001
Screw	-	●	red	EC11.0021.002
Screw	-	●	green	EC11.0031.001
Screw	-	●	green	EC11.0031.002

Most Popular.

Availability for all products can be searched real-time:<http://www.schurter.com/Stock-Check/Stock-Check-SCHURTER>

Suffix "21" corresponds to the version with V-Lock mating cordset. The connector is equipped with a notch intended for use with the latching cordset. The cord latching system prevents against accidental removal of the cordset.

Packaging unit 25 Pcs