

# Non-Stripping Multi-Connection Wire Connector



RoHS  
Compliant



## Features:

- No need to remove wire insulation
- No need to splice the wires
- No need for taping
- Water and dust resistant (IP 33)
- Absolutely free from electric shock
- As easy as 1-2-3 operation
- Accommodate all kinds of electric wires

## Technical Specification:


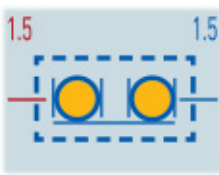
mm <sup>2</sup>	1.5
AWG	16 ~ 14
Connection Method	Caged wire clamps without stripping & splicing
Number of wire	1 or 2
Connection Method	Auto strip and connection in connector
Wire type	Solid and/or Stranded
Waterproof status(IP)	IP 33
Measured voltage EN(V)	600
Connector type	I Type
Measured shock voltage (kV)	9
Connected Loss (Ohm)	0.0001
Maximum Current (A)	15
Tensile strength (NT)	165
Weight (g)	2.1
Colour	Yellow
Height (a : mm)	7.2
Width (b : mm)	7.2
Width (T-type) (d : mm)	-
Depth (c : mm)	30
Strip length from (mm)	9
Strip length to (mm)	12
Connection points	9
Metal thickness	0.5
HS code	853690

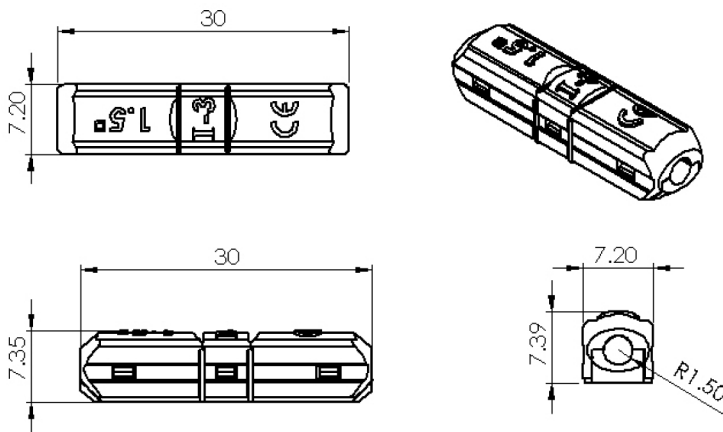


# Non-Stripping Multi-Connection Wire Connector



## Connection Diagram

Product	I-3
mm <sup>2</sup>	1.5
Wire Type	Solid or Stranded
Number of Wire	1 : 1 Connection
Picture	
Diagram	



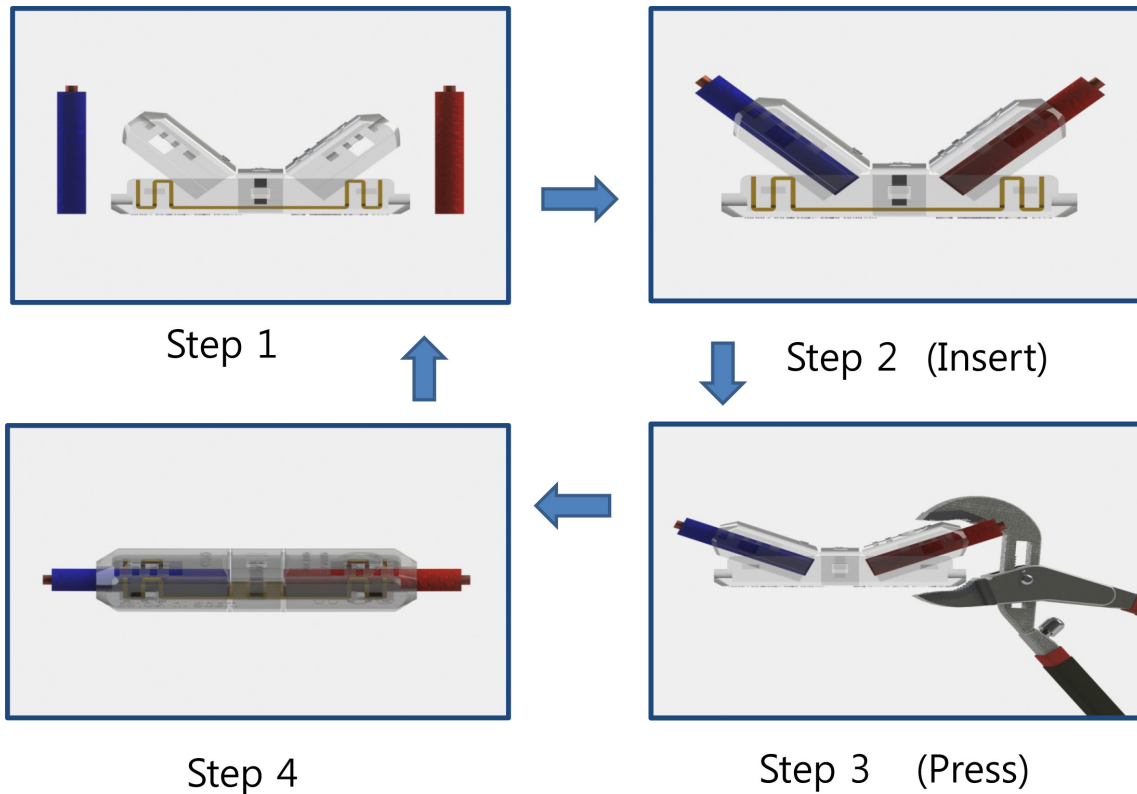
Dimensions : Millimetres



# Non-Stripping Multi-Connection Wire Connector



## Assembly Instructions:



### Part Number Table

Description	Part Number
Non-Stripping, Multi-Connection Wire Connector	MCI003141S

