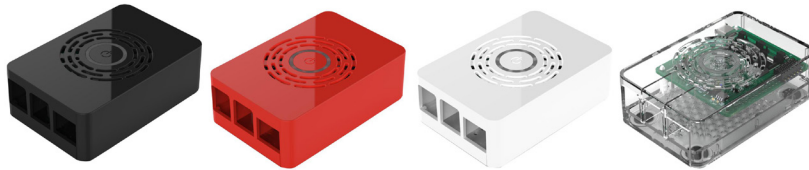


# Raspberry Pi-4 Power-Hat

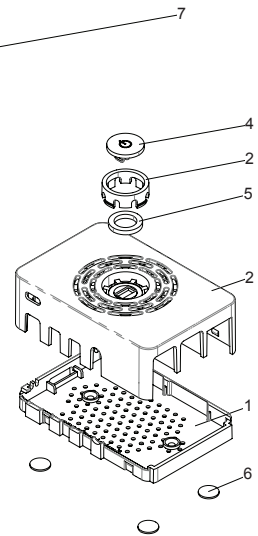
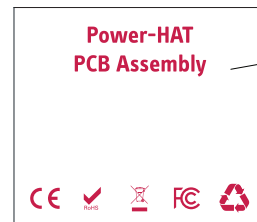
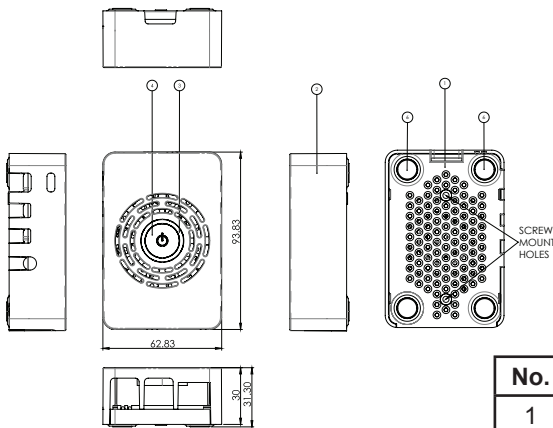


RoHS  
Compliant

## Specification

Material : ABS

## Diagram



No.	Description	Qty.
1	Pi-4 Standard Base Moulding	1
2	Pi-4 Power Hat Upper Moulding	
3	Pi-4 LED Moulding	
4	Pi-4 Button Moulding	
5	Pi-4 Power Button Foam Pad	
6	TECHNI-3 Foam Rubber Foot	4
7	Power-Hat PCB Assembly INC Fan Bracket	1

Dimensions : Millimetres

## Part Number Table

Description	Part Number
Raspberry Pi-4 Power-Hat, Black	ASM-1900143-21
Raspberry Pi-4 Power-Hat, Red	ASM-1900143-61
Raspberry Pi-4 Power-Hat, White	ASM-1900143-11
Raspberry Pi-4 Power-Hat, Clear	ASM-1900143-01